

TRIPLE ZONE WINE CELLAR

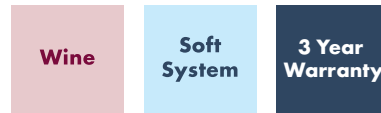
WTes 5872



LIEBHERR

Quality, Design and Innovation

LIEBHERR TRIPLE ZONE WINE CELLAR WTes 5872



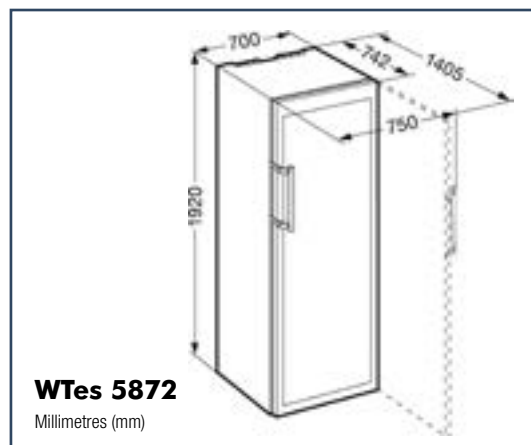
| Model | WTes 5872 |
|---|-----------------|
| Type I Category | FS I Vinidor |
| Finish | Stainless Steel |
| °Energy consumption (kWh/yr) I 24hr | °245 I 1.08 |
| △Bottle capacity (750ml Bordeaux) | 178 |
| Safety glass door | • |
| MagicEye control system I Display | SoftTouch I LCD |
| Digital temperature display | Internal |
| Tinted glazed door | Double |
| Temperature zones | 3 |
| Temperature range (°C) Min I Max °C | 5 I 20 |
| Suitable for ambient temperature Min I Max °C | 10 I 38 |
| Interior light | Dimmable LED |
| Hand crafted beech wood shelves | 10 |
| Shelves mounted on telescopic rails | • |
| Presentation shelf | • |
| Base shelves | 3 |
| Recirculated air cooling | • |
| Fresh air supply via activated charcoal filter | 3 |
| Child proof lock (control panel) | • |
| SlimLine handles I Integrated opening mechanism | • I • |
| Reversible door hinges | • |
| Key lock | • |
| Label holders | • |
| Compressors | 1 |
| Door open warning signal | • |
| Temperature alarm | • |
| Malfunction warning signal | • |
| Ventilation switch | • |
| Automatic defrosting | • |
| Ventilation switch | • |

Technical Information

| | |
|-------------------------------------|---------------|
| Default hinge | Right |
| Gross weight (kg) I Net weight (kg) | 121 I 114 |
| Height (mm) | 1920 |
| Width (mm) | 700 |
| Depth (mm) | 742 |
| Voltage (V) I Rated Current (A) | 220-240 I 2.0 |
| Made In | Austria |

KEY: FS = Freestanding, ° = Measurements taken at +25°C ambient and +12°C interior temperature tested by Liebherr Germany (not to Australian standards), △ = Based on Bordeaux 750ml bottle - capacity may vary depending on bottle shape and size. Door hinging either right or left hand must be nominated for this model.

If building into cavity, please note the below requirements:
 Minimum air space above cabinet (mm): 50mm
 Minimum air space behind cabinet (mm): 50mm
 Minimum air space on sides of cabinet (mm): 15mm



WTes 5872

Millimetres (mm)

Whilst every effort is made to ensure all specifications and information in this flyer are correct at time of printing, Andi-Co Australia Pty. Ltd. reserve the right to make changes without notification. Where actual appliance measurements, specifications and ratings are crucial, we recommend that the actual appliance installation instructions that accompany each appliance be checked. Andi-Co Australia will not be liable for any loss.