

*Lopi*TM

Traditional Gas Fireplace Range



Lopi Fireplaces

Lopi gas fireplaces are skillfully manufactured at America's largest privately owned fireplace company in the Mukilteo, Washington State - USA. The 11-acre manufacturing facility in Mukilteo, aptly named 'The House of Fire' employs up to 600 employees and located just thirty minutes north of Seattle.

All Lopi fireplaces are manufactured in the USA since 1980 and have leading warranties and customer service support. Lopi fireplaces have been warming Australian homes for more than 30 years and are sold exclusively at over 75 fireplace specialists throughout the country.

How Do You Say Lopi?

Lopi [low-pie]

noun

1. **Beauty, strength and independence.**

We hear a lot of different pronunciations - Lopey...Loopee...Loppy!

It's actually pronounced "Low-Pie", and was created by the president of Travis Industries, manufacturer of Lopi heaters, Kurt Rumens.

Lopi means beauty, strength and independence and has become a legend in its own right.



ProBuilder™ *Traditional Fireplace Series* | See Page 6

The ProBuilder™ Series represents Lopi's entry level traditional gas fireplace range. This series of fireplaces feature large viewing areas and a 'Clean Face' design. Featuring a detailed traditional log-set, optional fireback liners and the option to upgrade to the GreenSmart® Basic remote, they are ideal in many areas of your home.

Premium ProBuilder™ *Traditional Fireplace Series* | See Page 7

The Premium ProBuilder™ Series includes all of the features of the Premium Range just with a little less heat.

Premium *Traditional Fireplace Series* | See Pages 9-23

The Premium Series represents fully featured GreenSmart® 2 fireplaces in a traditional style. All models include GreenSmart® 2 remote, GreenSmart Pilot, Smart thermostat, Comfort Control, Accent Lighting, 6 speed fans, discreet safety screens, premium media options, and multiple finishing options.





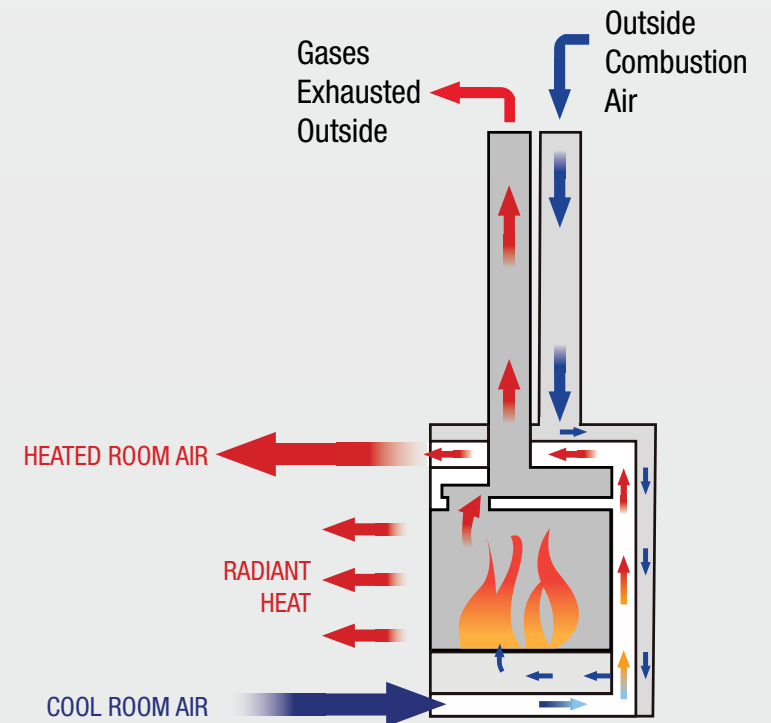
'No Power Required'

Natural Draft Direct Vent Technology

Every Lopi gas fireplace features
'Natural Draft Direct Vent Technology'

This process naturally draws fresh air into the firebox from outside and removes all exhaust gases back outside without effecting the air quality in the room.

Best of all, this technology means that this process does not require power which makes for a quiet, reliable fireplace that can even be used during a power outage.



CoolSmart™ Wall - Installation Flexibility *(Not available on 564HO & 864ST Models)*

The unique features of CoolSmart Wall allows you to sit back and watch your television in complete comfort and silence. When you switch off the fans on your Lopi fireplace you can enjoy the radiant heat and beautiful flames whilst the CoolSmart system safely pulls the heat away to the wall mounted vent acting as a powerless fan.



Linear Model Shown

- TV or Artwork - No Recess Required
- Reduced Clearances Above Fireplace to TV or Artwork
- Hang artwork or TV without a deflector shelf



Lopi ProBuilder™ 36CF GSB

The ProBuilder™ 36 Clean Face GSB features clean lines and contemporary styling, this fireplace is understated elegance suitable in any home. The beautiful tall flames dance around the firebox on an elevated staged 'Dancing-Fyre™' burner.

The ProBuilder 36CF is designed with an angled firebox to provide radiant heat through the huge fire viewing glass, plus natural convection from the five-sided convection chamber, delivering optimum warmth with or without the use of a fan.

Heating Capacity: Up to 100Sqm*

Mj Input: High 26Mj NG & LPG

Low 15Mj NG - 14Mj LPG

Max kW Output: 5.1

Viewing Area: 915mm wide x 867mm high



Optional Brick Fireback Liner



Optional Glass Fireback Liner

Optional GreenSmart® Basic Remote

The GreenSmart Basic Remote is available on all ProBuilder™ models and allows you to set an on/off thermostat and switch your fireplace on or off without getting up!



*Heating capacity varies according to the size of closed off area, ceiling height, floor plan, insulation and outside air temperature

Lopi Premium ProBuilder™ 24CF GS2

The Lopi ProBuilder™ 24 Clean Face GS2 sets a new trend in traditional gas fireplaces. It's stunning portrait format means this fireplace fits where no other can. Perfect for in between windows, in bedrooms, kitchens and hallways or as a fire feature anywhere in your home.

This fireplace is fully loaded with all the GreenSmart® 2 features and Ember Glo™ lighting. There are two optional fireback liners available, brick or black glass to further enhance this fireplace.

Heating Capacity: Up to 65Sqm*
Mj Input: High 18Mj NG & LPG
Max kW Output: TBA
Viewing Area: 626mm wide x 867mm high



Available Soon!

Check with your local Lopi outlet for updates



Lopi ProBuilder™ 24CF GS2

*Heating capacity varies according to the size of closed off area, ceiling height, floor plan, insulation and outside air temperature

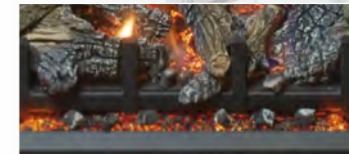
GreenSmart® 2 Technology

See Page 9 for more information



Ember Glo™ Lighting

This lighting enhances the fireplace with the effect of glowing embers at the base of the tiered stage burner.



Optional Glass Liner

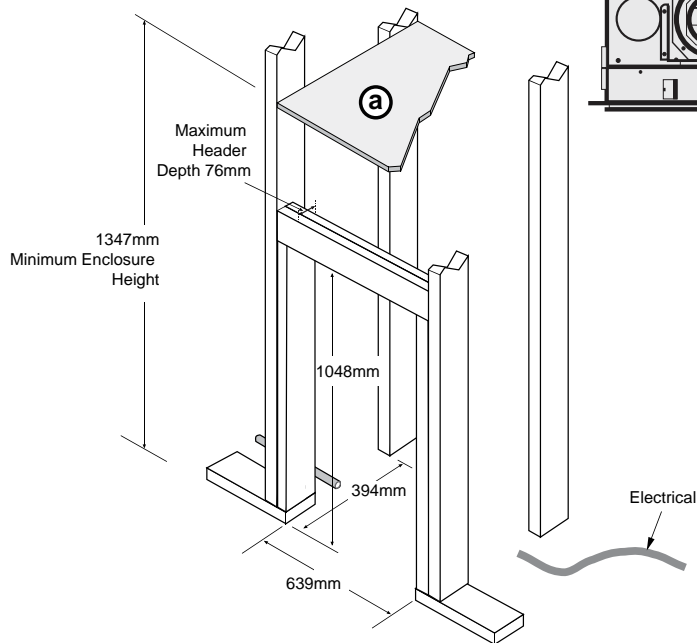
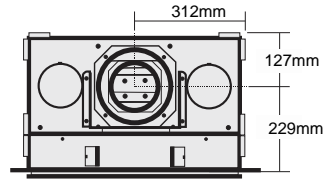
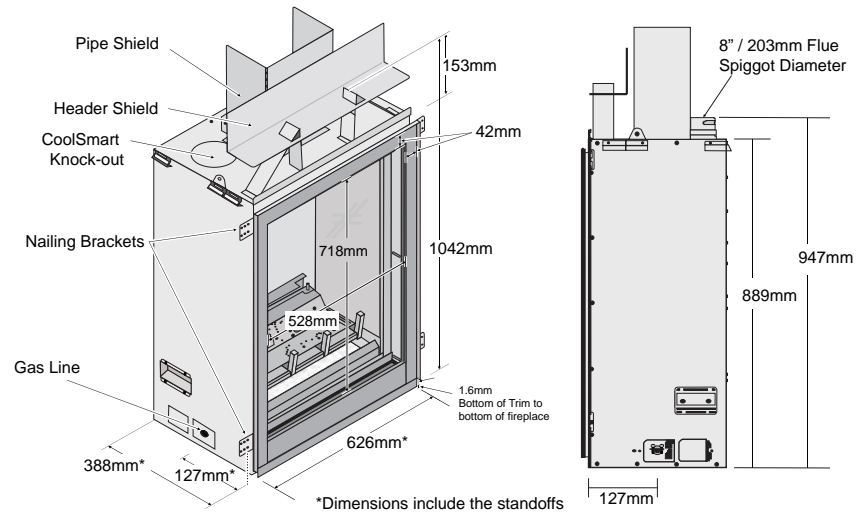


Optional Brick Liner

ProBuilder™ Fireplaces - Dimensions

Lopi ProBuilder™ 24CF GS2

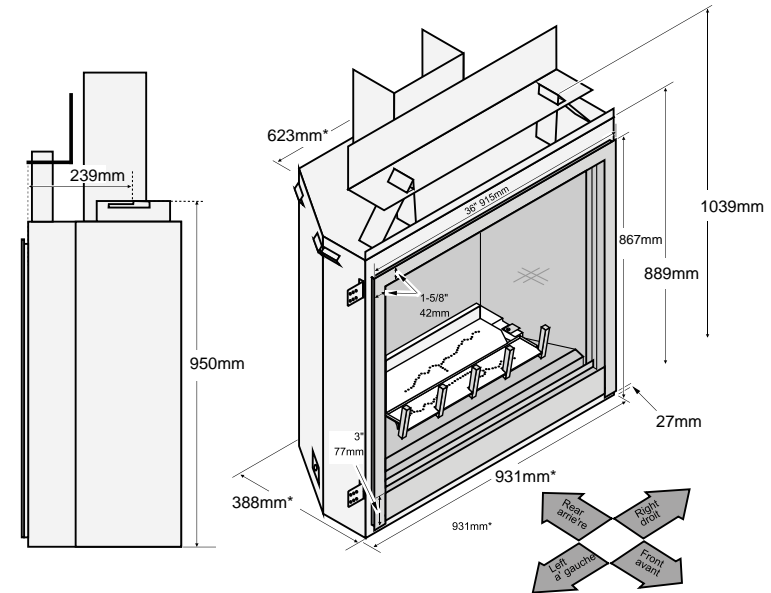
See Installation Manual for full clearances



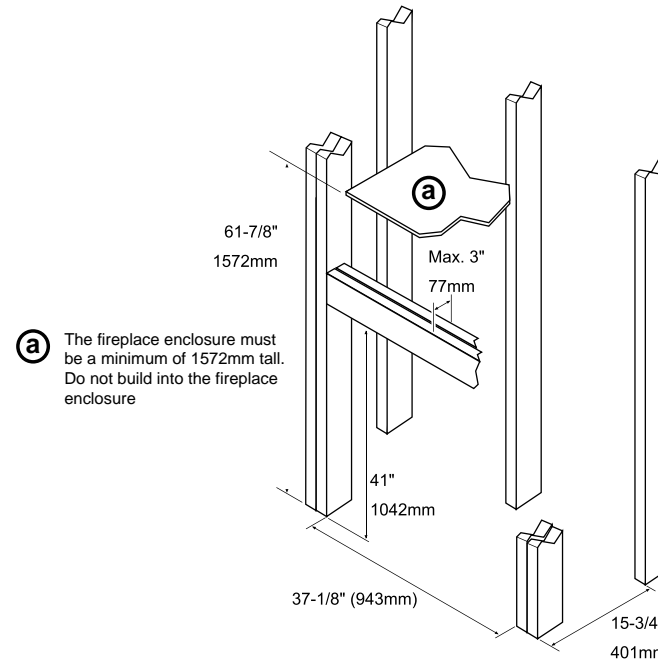
a The fireplace enclosure must be a minimum of 1347mm tall. Do not build into the fireplace enclosure

Lopi ProBuilder™ 36CF GSB

See Installation Manual for full clearances



*Includes 1/2" (25mm) clearance to each side and rear of the fireplace

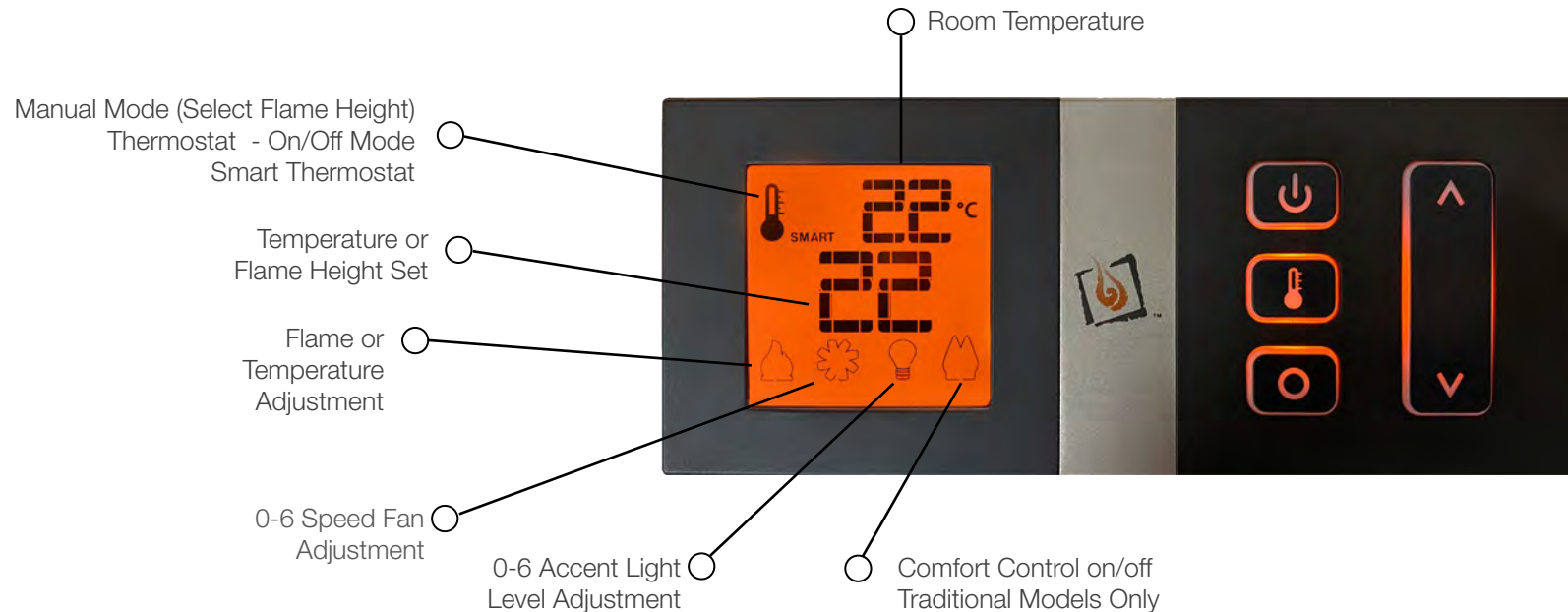


a The fireplace enclosure must be a minimum of 1572mm tall. Do not build into the fireplace enclosure

Premium Series GreenSmart® 2 Features



Every Premium Lopi fireplace features GreenSmart® 2 Technology - the most advanced burner system available. The GreenSmart® 2 system allows full control of your Premium Lopi fireplace by remote control. You can select a thermostat mode, flame height, accent light level or choose between the six fan speeds or even switch off the fans completely.



GreenSmart 2™ Featuring

- **GreenSmart® Remote** - A remote control supplied as standard allowing you to control the GreenSmart 2™ features
- **GreenSmart® Pilot** - Both electronic (IPI) & continuous (CPI) pilot modes
- **Accent Lighting** - Adding a warm glow to your fire for added atmosphere
- **Smart or On/Off Thermostat Modes** - An option that automatically adjusts flame height to a set temperature and switch on/off
- **6 Speed Blower** - For increased transfer of convection heat
- **Comfort Control™** - Turn on / off the rear burner for even more control of your fireplace

Premium Traditional Fireplaces



Superior Flames

The Premium Traditional gas fireplace range lead the way with its realistic log-sets and flame patterns available.

High Heat Output

Although each model produces heat, there are two models available within the Premium range that are 'high heat output' fireplaces. These models are the 564HO GS2 & 864CF 40K GS2.

The combination of ceramic glass, gas input and powerful blowers make these fireplaces unbeatable heaters when even more heat is required.

Discreet Safety Screen

A fine mesh safety screen is included on every Lopi gas fireplace.

This mesh is strong but so fine that it does not interrupt the view of your fireplace. The screen is mounted 25mm from the glass so any potential danger is eliminated.

Accent Lighting

Accent lighting is featured on every traditional fireplace and transforms the firebox by highlighting the log media and helps in casting shadows against many of the fireback liner options. Accent lights are featured either in the top of the firebox or behind the rear log. Lighting is controlled by the GS2 remote from off up to 6 levels in intensity to suit your mood.



Ember Glo™ Lighting

The ProBuilder™ 24CF GS2, 564CF 25K GS2 and 864CF 31K & 40K GS2 feature Ember Glo™ lighting controlled by the GS2 remote. This lighting further enhances the fireplace with the effect of glowing embers at the base of the heater.



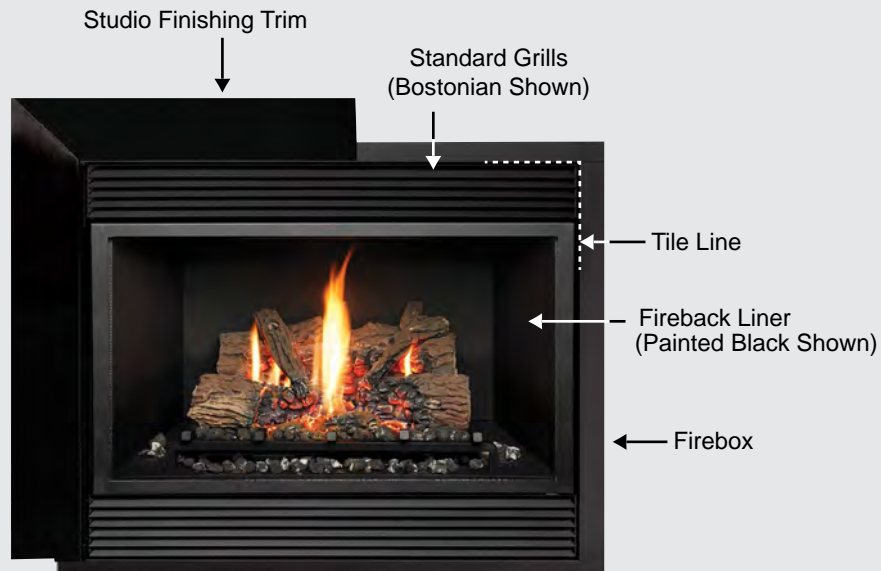
Quiet Fans

Every fireplace features quiet dual fans that are controlled by the GS2 Remote Control which can be turned off completely and up to 6 speeds for complete control.

'Faced' Versus 'Clean Face' Traditional Fireplaces

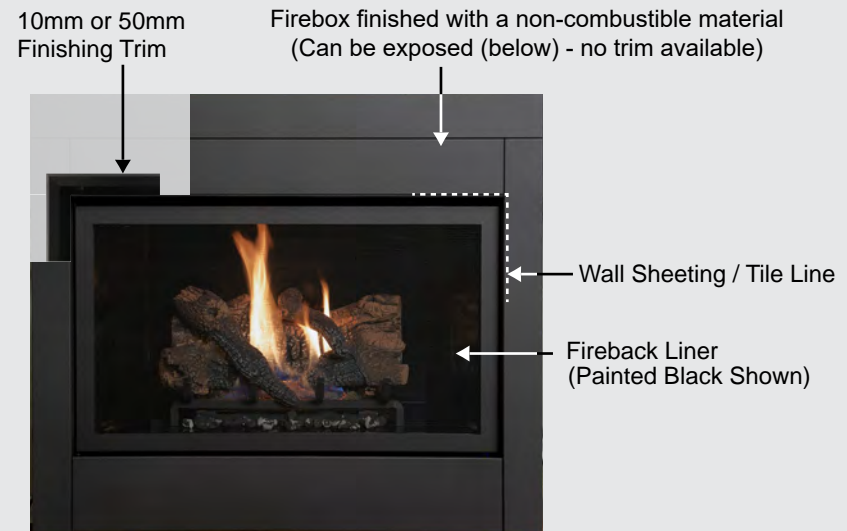
Faced Fireplaces

There are two 'Faced' models available, the Lopi 564HO and 864ST GS2. Both models have the ability to finish the fireplace with grills and finishing trim or a more traditional 'Face' which perfectly compliments a mantelpiece set-up as seen below.



Clean Face (CF) Fireplaces

There are three 'Clean Face' models available, the Lopi 564CF 25K, 864CF 31K and 864CF 40K GS2. These models have a more minimal cleaner look to the fireplace with almost zero exposed surrounds, just glass, flame and a discreet trim.



Example of exposed firebox surround (no trim) with stone



Lopi 564HO GS2

The Lopi 564HO GS2 offers a choice of three different burner options; the high performance Ember-Fyre burner, the Dancing-Fyre burner or the contemporary Diamond-Fyre™ burner with a choice of Driftwood or Stones. The 564HO GS2 is sure to keep things warmed up year round with a heat output of 35Mj and the ability to heat up to 158 square metres.* This high efficiency fireplace offers a turn down ratio of up to 69% (NG) or 77% (LPG). The pyro-ceramic glass face enhances the radiant heat that ultimately warms the surfaces of your home helping assisting the high heating performance of this fireplace.

Heating Capacity: Up to 158Sqm*
Mj Input: High 35Mj NG & LPG
Low 11Mj NG - 7.9Mj LPG
Max kW Output: 7.5
Viewing Area: 797MM wide x 460mm high



Lopi 564HO GS2 - Burner, Media & Fireback Liner Options

Dancing-Fyre™ Log Media



Black Painted Liner Only

Diamond-Fyre™ Burner, Fyre-Stone™ Rock Media



Black Painted Fireback Liner



Back Enamel Fireback Liner



Stainless Steel Fireback Liner

Diamond-Fyre™ Burner, Driftwood Fire Art Media



Black Painted Fireback Liner



Black Enamel Fireback Liner



Stainless Steel Fireback Liner

4 Glass Colour Options Diamond-Fyre™ Burner Only



Black



Platinum



Bronze



Cobalt

Ember-Fyre™ Log Media



Black Glass Fireback Liner



Diamond Mosaic Fireback Liner



Herringbone Brick Fireback Liner



Straight Brick Fireback Liner



Old World Stucco Fireback Liner



Handmade Brick Fireback Liner



LedgeStone Fireback Liner



Stacked Tan Brick

Lopi 864ST GS2

The 864ST GS2 (Doubled Sided Fireplace) is a perfect balance between the firebox, logs and flames. The logs and fire have been carefully designed to give you a different look from either side. Compare the amazingly realistic nine piece log-set with any other see-through fireplaces on the market! The unique split-level Dancing-Fyre™ burner will give you a warm, yellow fire with glowing embers that your friends and family will have a hard time telling apart from a real wood fire.

The 864ST GS2, a fireplace with two points of view. You can personalise each room using a different face on each side of the fireplace. Choose one of the standard grill sets or even choose one of the beautiful upgrade faces.

Heating Capacity: Up to 135Sqm*
Mj Input: High 39.5Mj NG & LPG
Low NG 15.5Mj | LPG 10.5Mj
Max kW Output: 8.1
Viewing Area: 865mm wide x 570mm high



Optional Straight Brick Liner



Optional Herringbone Brick Liner

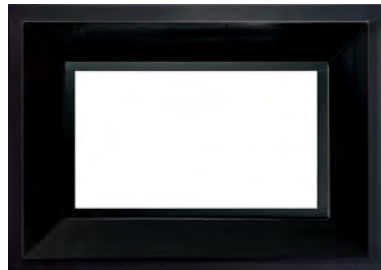
Traditional Faced Fireplaces (564HO & 864ST) - Finishing Options

Faces

Lopi Faces are available in a range of options to enhance your fireplace. A face fits over the entire firebox thereby giving your fireplace a completely different look to that of the standard grill options seen on page 13.



Shadowbox™ Brushed Metal ***
564HO ONLY



Shadowbox™ Black *** 564HO ONLY



Artisan Black - Hand Hammered **



French Country Black **



Metropolitan Black **



Classic Arch Black **



Legacy Black **
Also available in Carbon Patina

Face Dimensions

564HO GS2	Width	Height
Shadowbox™	1149mm	819mm
Legacy	915mm	737mm
Classic, Artisan, French Country	915mm	807mm (top of arch)
Metropolitan	915mm	737mm

864ST GS2	Width	Height
Shadowbox™	1270mm	967mm
Legacy	1041mm	908mm
Classic, Artisan, French Country	1041mm	908mm (top of arch)
Metropolitan	1038mm	905mm

Please note that faces marked with a ** require a non - combustible component between the firebox and face to complete the installation. They are ideally suited to be finished with a mantelpiece.

Please consult your Lopi dealer or the installation guide of each face option for more details. All installation guides are available in the documents tab of the relevant product on www.lopi.com.au

***When used with 864ST GS2 a fibreboard is visible above the Shadowbox™ Face. Removal of this board and use of a non-combustible wall lining may be required. Please consult with your Lopi dealer.

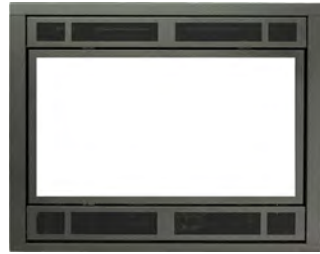
Traditional Faced Fireplaces (564HO & 864ST) - Finishing Options

Select grills and optional finishing trim or Face

Grills



Bostonian



Avalon



FPX (with removable top arch)



4 Sided Brushed Metal Studio Trim - Black Bostonian Grills



3 Sided Brushed Metal Studio Trim - Black Bostonian Grills



4 Sided Black Studio Trim Black Bostonian Grills



3 Sided Black Studio Trim Black Bostonian Grills

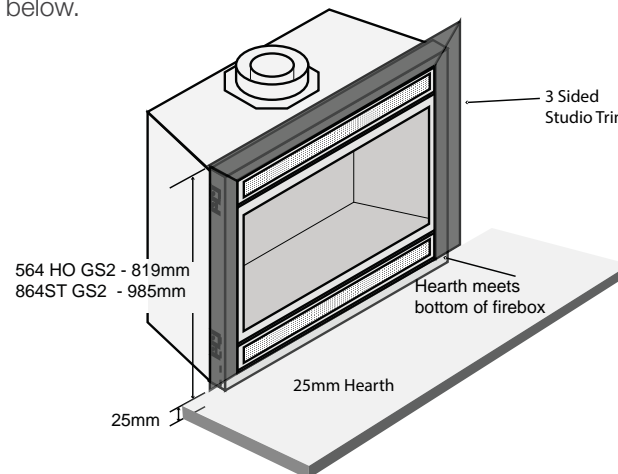
Trim & Face Dimensions

564HO GS2	Width	Height
3 Sided Studio Trim	1060mm	819mm
4 Sided Studio Trim	1060mm	937mm

864ST GS2	Width	Height
3 Sided Studio Trim	1175mm	985mm
4 Sided Studio Trim	1175mm	1102mm

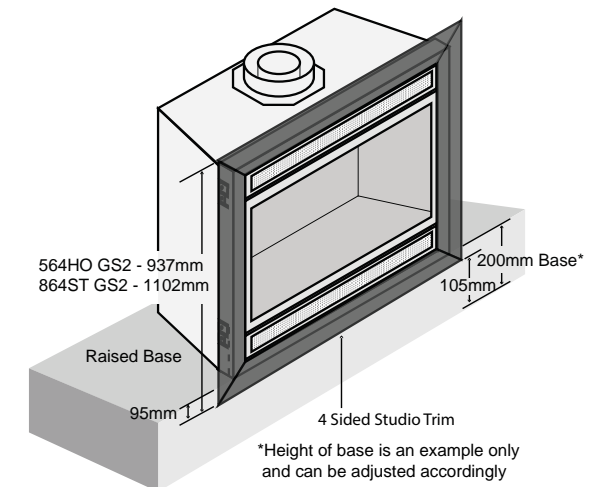
3 Sided Studio Trims

The 3 sided Studio trims finish 25mm short of the base of the firebox allowing for a hearth to be pushed up to the firebox and meet the fascia as per the diagram below.



4 Sided Studio Trims

The 4 sided Studio trims finish 95mm below the base of the firebox. Please allow for this additional height when creating the raised base for the firebox.



Lopi 564CF 25K GS2

The minimal design of the 564 Clean Face 25K with reduced dimensions takes up less space in your home, which makes installing this fireplace simple. This allows you the flexibility of adding fire to almost any room in your home.

This top or rear vent fireplace features a “clean face” look without the need for grills or a face. The 564 Clean Face 25K is a deluxe model that comes standard with new Ember-Glo™ ember bed lighting, adjustable overhead Accent Lights, detailed oak log set. You can also add the CoolSmart Wall™ option making it easy to install a television directly above your fireplace.

Heating Capacity: Up to 100Sqm*
Mj Input: High 26.4Mj NG & LPG
Low NG 9Mj | LPG 6.7Mj
Max kW Output: 5.1
Viewing Area: 797mm wide x 460mm high



Lopi 564CF 25K GS2 - Black Glass Fireback Liner & 10mm Finishing Trim

*Heating capacity varies according to the size of closed off area, ceiling height, floor plan, insulation and outside air temperature

Lopi 864CF 31K GS2

The 864 CF 31K GS2 is standard with the 'Clean Face' meaning you can finish this fireplace in a minimal way without the need for grills. The 864 CF 31K GS2 is perfect for medium sized rooms or as a beautiful, decorative fire all year long. It features a wide Mj turn down range for more heat flexibility and flame viewing options.

New features on this model now included are overhead lighting and Ember-Glo™ ember bed lighting. Use your fireplace as a lighting feature all year round!

Heating Capacity: Up to 125Sqm*

Mj Input: High 31Mj NG & LPG
Low NG 7Mj | LPG 5.5Mj

Max kW Output: 7.13

Viewing Area: 865mm wide x 570mm high



Lopi 864CF 40K GS2

The Lopi 864CF 40K GS2 is the new standard in high heat output traditional gas fireplaces. With its Clean Face design you are able to finish this fireplace in a minimal way without the need for grills or louvers.

The 864CF 40K GS2 is perfect for larger living spaces. This model features ceramic glass for increased radiant heat, 6 speed quiet fans, GreenSmart® 2 Technology, Comfort Control as well as overhead accent lighting and Ember-Glo™ ember bed lighting. Heating up to 185sqm* this fireplace can be turned down by 64% means this fireplace is suitable for many spaces and can be used all year round.

Heating Capacity: Up to 185Sqm*

Mj Input: High 42Mj NG & LPG

Low 15Mj NG - 12Mj LPG

Max kW Output: 8.1

Viewing Area: 865MM wide x 570mm high



Traditional Clean Face Fireplaces - Finishing Options

Optional Fireback Liners

Fireback liners become the rear and side panels within the firebox itself and can enhance the fireplace dramatically.



Black Glass - All Models Except 864ST



Straight Brick - All Models



Herringbone Brick - All Models



Handmade Brick - All Models Except 864ST



LedgeStone - All Models Except 864ST



Old World Stucco - All Models Except 864ST



Stacked Tan Brick - All Models Except 864ST



Diamond Mosaic - All Models Except 864ST

564CF & 864CF Finishing Trims

Complete your 564 or 864 Clean Face fireplace with a stylish 10mm beveled or 50mm flat finishing trim.



10mm Black Finishing Trim



50mm Black Finishing Trim

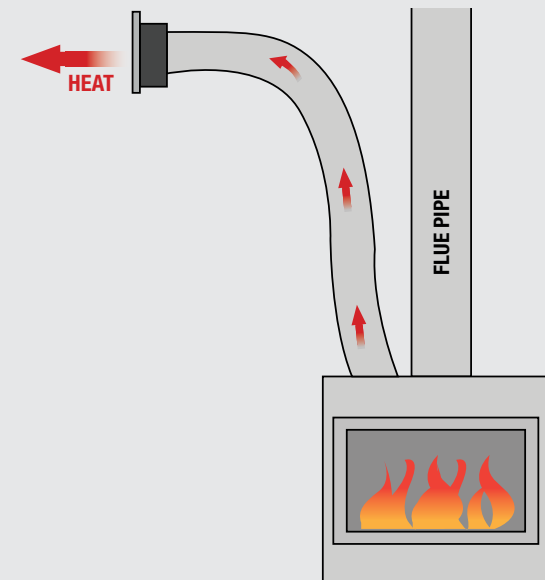
Image - 10mm Black Finishing Trim on 564CF 25K GS2



Power Heat Duct - Not available on 864ST GS2

Duct heat to another space within six metres of your fireplace.

Cannot be used in conjunction with CoolSmart Wall Kit.





Lopi 564CF 25K - Glass Fireback Liner, Custom Mantel & Stone Surround

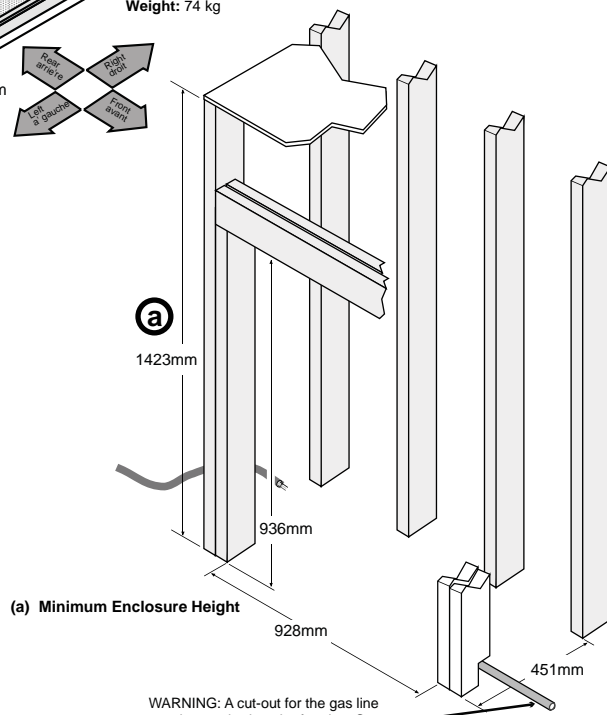
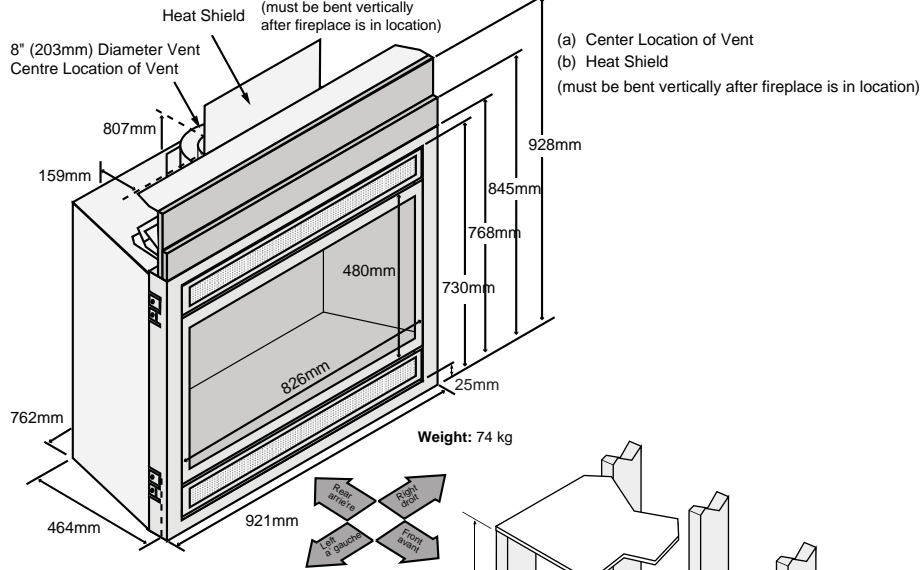
Premium Traditional Faced Fireplaces - Dimensions

Lopi 564HO GS2

See Installation Manual for full clearances

Top Vent Only Configuration

203mm Diameter Vent



WARNING: A cut-out for the gas line may be required on the framing. See the dimensions under "Gas Line Connection" for details.

Lopi 864ST GS2

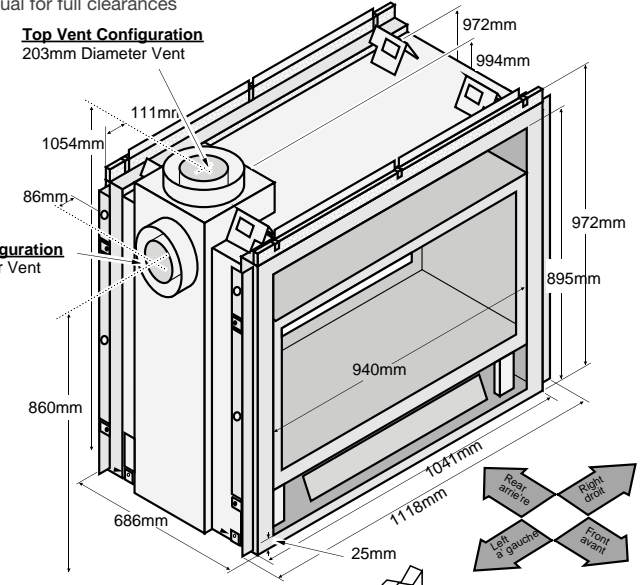
See Installation Manual for full clearances

Top Vent Configuration

203mm Diameter Vent

Side Vent Configuration

203mm Diameter Vent

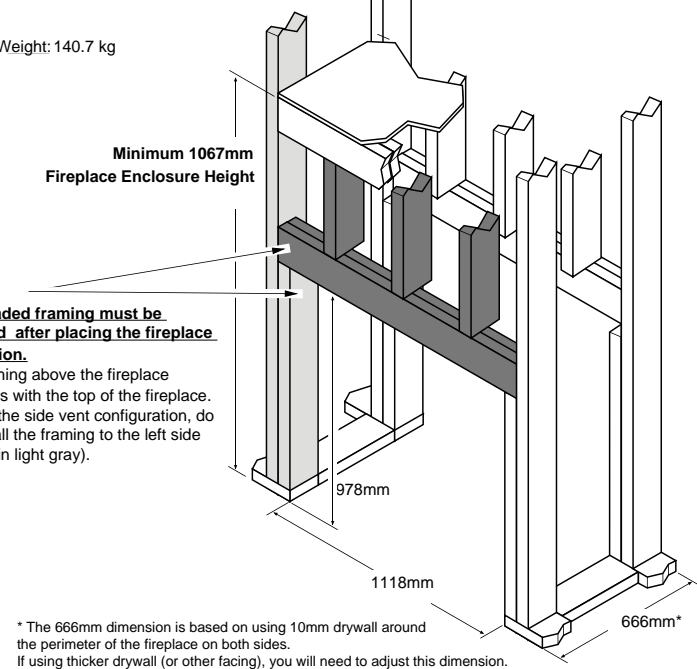


Weight: 140.7 kg

Minimum 1067mm
Fireplace Enclosure Height

NOTE:
The shaded framing must be installed after placing the fireplace in position.

The framing above the fireplace interferes with the top of the fireplace. If using the side vent configuration, do not install the framing to the left side (shown in light gray).

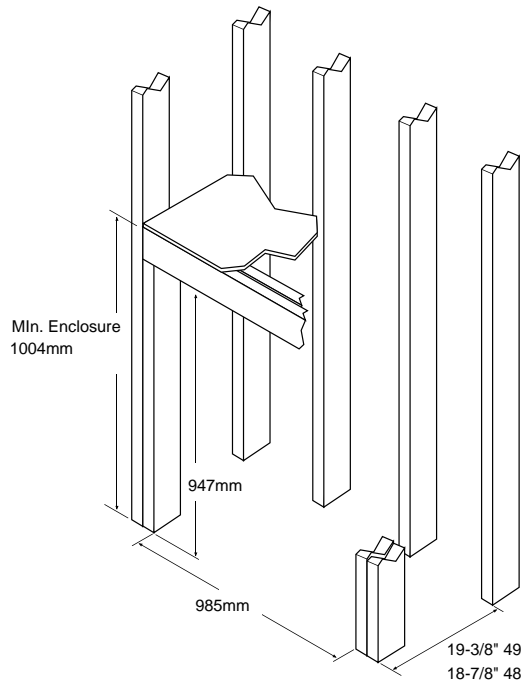
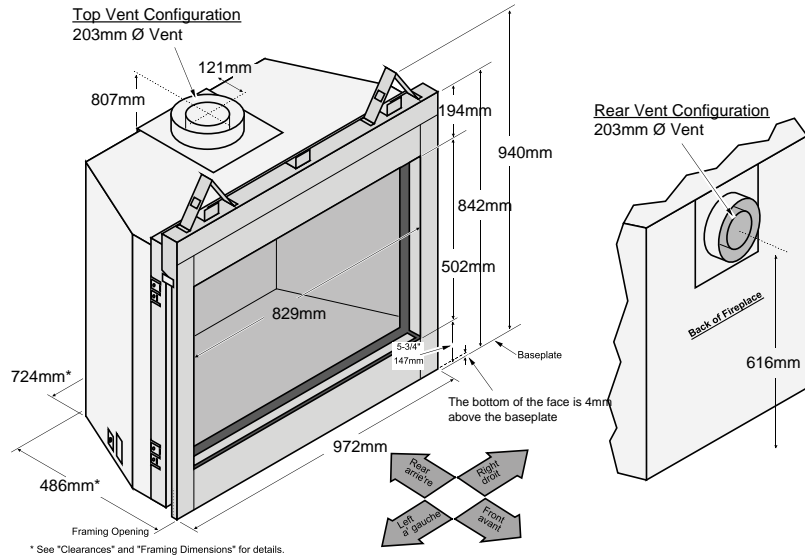


* The 666mm dimension is based on using 10mm drywall around the perimeter of the fireplace on both sides. If using thicker drywall (or other facing), you will need to adjust this dimension.

Premium Traditional Clean Face Fireplaces - Dimensions

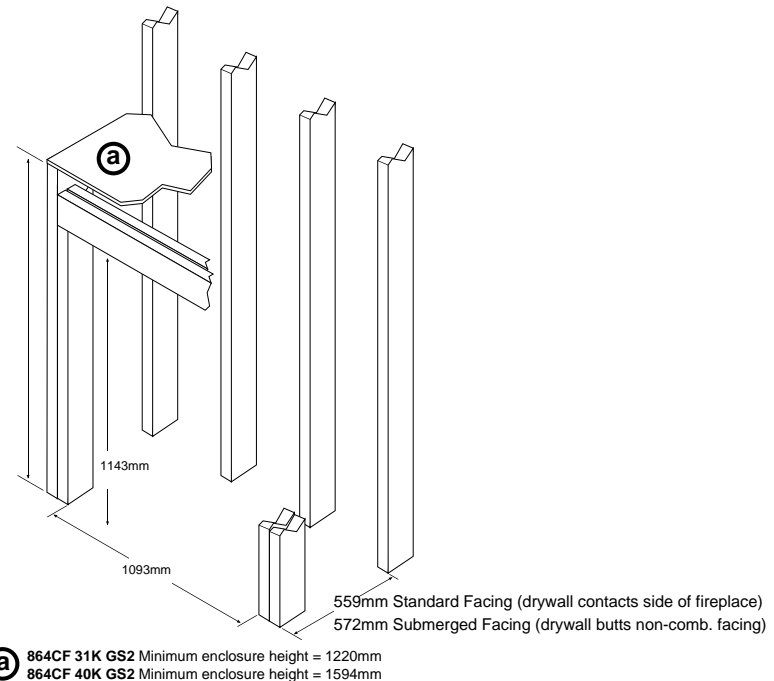
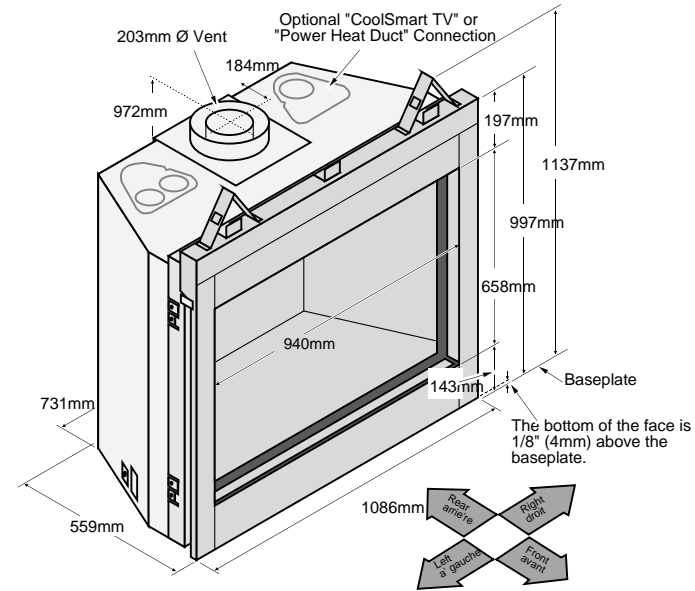
Lopi 564CF 25K GS2

See Installation Manual for full clearances



Lopi 864CF 31K & 40K GS2

See Installation Manual for full clearances



Authorised Lopi Dealer:



Proudly Supporting



STEVE WAUGH FOUNDATION
www.stevewaughfoundation.com.au



Distributed in Australia
by Dragon Wholesaling Pty Ltd
Ph. 1800 064 234
www.lopi.com.au

Note: Improper installation of your gas appliance or failure to operate it in accordance to the guidelines detailed in the installation manual may negate warranty and endanger your home and family. Installation information is available on our website at www.lopi.com.au
We recommend all Lopi appliances be installed and maintained on an annual basis by your local authorised Lopi dealer.

Brochure Version 03/2020