

EXCLUSIVE TO

*Canterbury*  
sink & tap



KERASAN

*La cucina è uno degli ambienti più importanti della casa. Qui la famiglia si ritrova e condivide pranzi e progetti, qui trasforma il vissuto in ricordo ed emozione.*

*E proprio a partire dall'emozione Kerasan ha concepito una linea di bacini in ceramica destinati alla cucina.*

*Lo spazio del quotidiano trova nella ceramica un linguaggio coinvolgente, fatto di pura estetica e della necessaria robustezza pratica e piacevole al tempo stesso.*

*La collezione 'Hannah Glasse' trae ispirazione dall'autrice di "The art of cookery made plain and easy" per creare un prodotto semplice di grande bellezza e praticità, fatto di un materiale resistente ai graffi, agli urti, agli sbalzi termici, affinché possa durare nel tempo. Come la famiglia.*

## The kitchen is one of the most important rooms in the house.

Families get together here to share mealtimes and life plans, experiences become memories and emotions. Kerasan took these emotions and made them the starting point for a range of ceramic basins for use in the kitchen.

The spaces we inhabit daily speak a new, exciting language with ceramic, a language with design at its heart as well as the necessary feel-good practicality.

The "Hannah Glasse" collection takes its inspiration from the author of the *The Art of Cookery Made Plain and Easy*, to create an effortlessly simple but extraordinarily beautiful and practical product that can resist any scratch, bang or temperature excursion thrown at it, assuring its longevity. Just like the family.



OXFORDSHIRE



SURREY



HAMPSHIRE

REVERSE  




YORKSHIRE



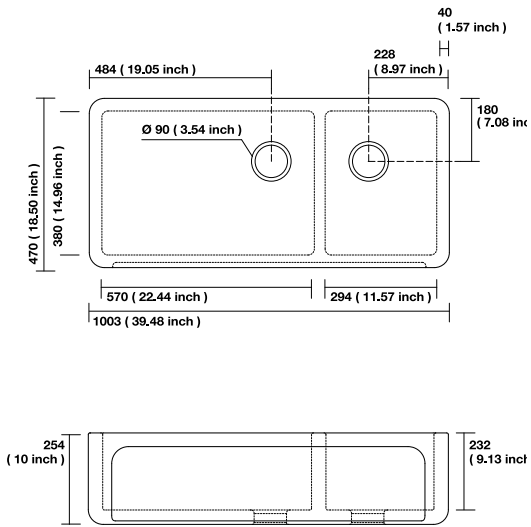
ESSEX

# OXFORDSHIRE



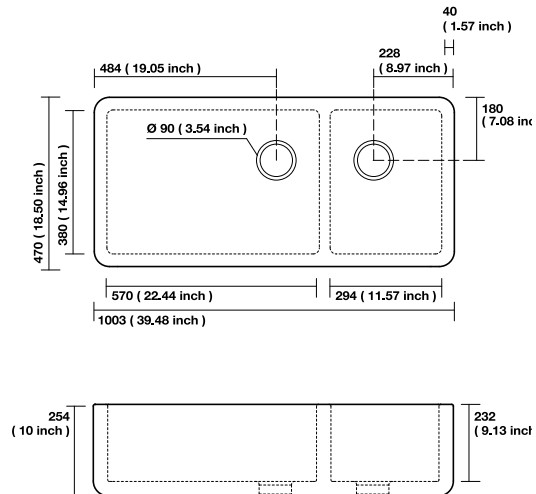
**5430**

1003 x 470 x 254mm - 39.48 x 18.50 x 10 inch  
Thickness: 40mm - 1.57 inch



**5431**

1003 x 470 x 254mm - 39.48 x 18.50 x 10 inch  
Thickness: 40mm - 1.57 inch





**PICTURED**  
Nicolazzi Tapware 1459  
with 78 Handles in Satin Nickel  
Low Lead tapware (0.2%)



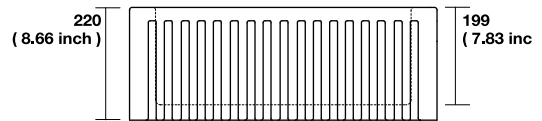
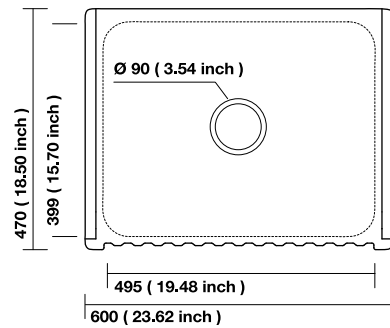
# HAMPSHIRE

---



**5460**

600 x 470 x 220mm - 23.62 x 18.50 x 8.66 inch  
Thickness: 30mm - 1.18 inch







# YORKSHIRE

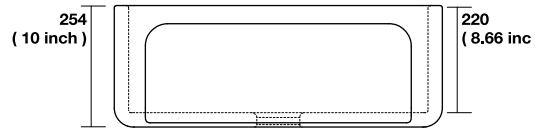
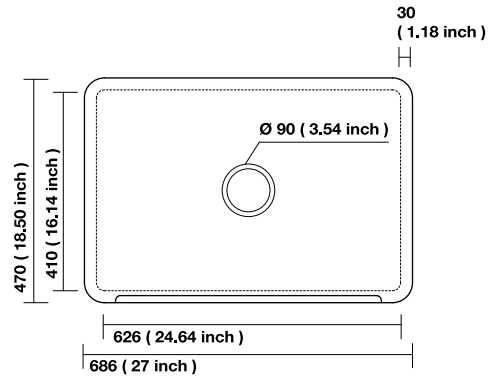
---



REVERSE



**5420**  
686 x 470 x 254mm - 27 x 18.50 x 10 inch  
Thickness: 30mm - 1.18 inch



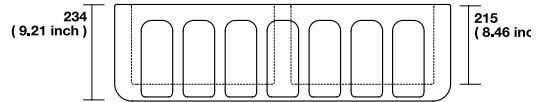
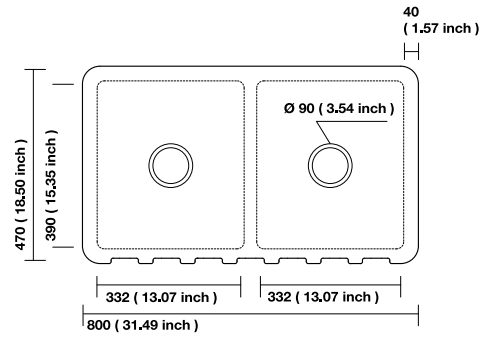


**PICTURED**

Nicolazzi Tapware  
1406 with 69 Handles in Dark Bronze  
Low Lead tapware (0.2%)

# SURREY

---



**5450**

800 x 470 x 230mm - 31.49 x 18.50 x 9.05 inch  
Thickness: 40mm - 1.57 inch



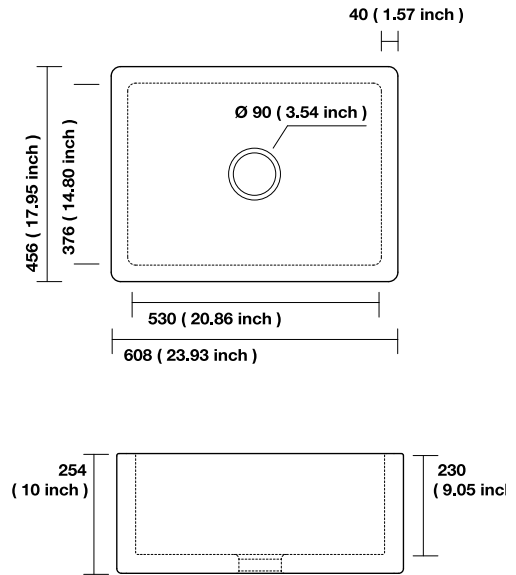
**PICTURED**  
Nicolazzi Tapware 3407 with  
75 Handles in Iron  
Low Lead tapware (0.2%)

# ESSEX



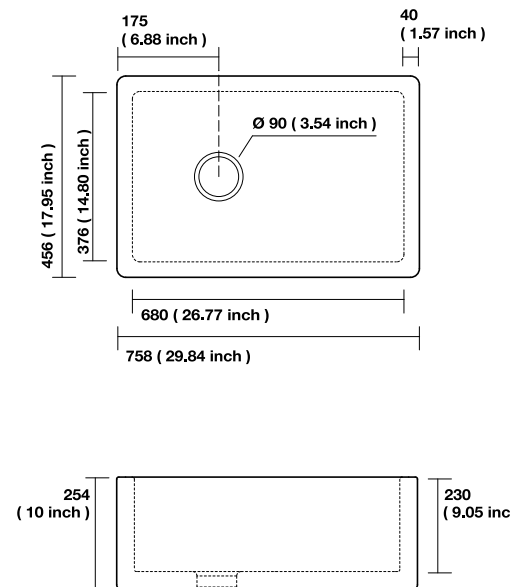
**5410**

608 x 456 x 254mm – 23.93 x 17.95 x 10 inch  
Thickness: 40mm - 1.57 inch



**5411**

758 x 456 x 254mm - 29.84 x 17.95 x 10 inch  
Thickness: 40mm - 1.57 inch



# EMBELLISHMENTS

---

A truly timeless collection of lasting quality designed to add timeless character and personality to the most contemporary of rooms.

## BASKET STRAINERS

1945.051.C1

Available as 90mm

Designed to compliment our sink ranges, our elegant 90mm basket strainers.

Finishes: Available in an array of Colours matching Nicolazzi Tapware. Standard finish is Chrome



Shown here in Chrome and Gold.



## GRIDS

G1 / G2 / G3 / G4 / G5 / G6 / G7 / G8



## ASTONISH

AC



## INSINKERATOR WASTE





*Canterbury*  
sink & tap



[www.sinkandtap.com.au](http://www.sinkandtap.com.au)

(03) 9761 4603

[facebook.com/canterburysinkandtap](https://facebook.com/canterburysinkandtap) · [instagram.com/canterburysinkandtap](https://instagram.com/canterburysinkandtap)

[pinterest.com.au/cantsinktap](https://pinterest.com.au/cantsinktap)